

# Pretty Kart

- (F) Manuel d'instructions
- (GB) Owners Manual
- (D) Gebrauchsanweisung
- (I) Avvertenza per il montaggio e di utilizzazione
- (E) Instrucciones de montaje
- (P) Nota da montagem e da utilização
- (S) Bruksanvisning



BREVETÉ - PATENTED

- **Instructions de sécurité**

- **Instructions de montage**

*Attention : merci de lire et de suivre toutes les instructions avant d'utiliser ce produit.*

- **Important Safety Instructions**

- **Assembly Instructions**

*Caution : read, understand and follow all instructions before using this product.*

- **Sicherheitshinweise**

- **Montageanleitung**

*Bitte beachten Sie : Die Anweisungen vor der Benutzung des Produktes zu lesen und zu befolgen.*

- **Istruzioni di sicurezza**

- **Istruzioni di montaggio**

*Attenzione : leggere e seguire tutte le istruzioni prima di utilizzare questo prodotto.*

- **Instrucciones de seguridad importantes**

- **Instrucciones para el ensamblaje**

*Atención : siga fielmente todas las instrucciones antes de utilizar este producto.*

- **Instrução de segurança**

- **Instrução da montagem**

*Atenção :Agradecemos que leia e de seguir todas as instruções antes da utilização deste produto.*

- **Viktig säkerhets information**

- **Monterings anvisningar**

*Observera : läs, förstå och följ alla instruktioner innan du använder denna produkt.*

**GARDEN** Kart



# Important Safety Instructions

1. READ ALL INSTRUCTIONS CAREFULLY BEFORE USE.
2. Do not load dumping PRETTY KART with more than 600 lbs (272 kg). Do not use the dumping features of the dumping PRETTY KART with more than 300 lbs (136kg).
3. Do not allow children to use the PRETTY KART unsupervised. This dumping garden kart is not a toy.
4. Always distribute payload evenly over the surface of the bed.
5. Do not load any items on the top edges of the plastic tray.
6. Do not operate or use on objects that can cause damage to the pneumatic tires or tubes. Do not inflate tires to more than 30 PSI (2,07 bar).
7. Save these instructions.

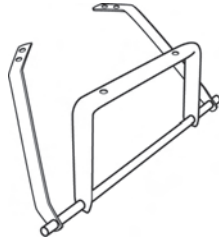
## Assembly Instructions

Your PRETTY KART requires assembly. Account for all parts and hardware before beginning assembly.

Tools required for assembly : standard screwdriver, philipps screwdriver and socket set (or two adjustable wrenches).

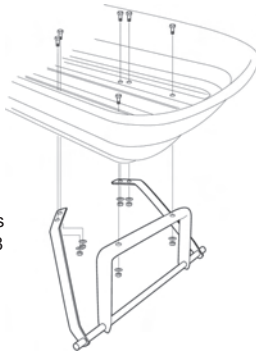
### Step 1

The right and left rear struts are preassembled to the rear axle frame as shown.



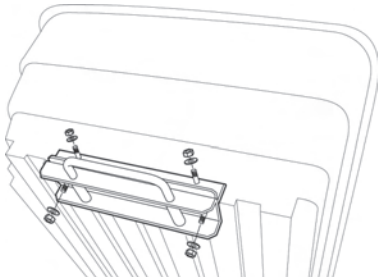
### Step 2

Attach the rear axle assembly to the tub using M8X40 truss head bolts (2 pcs), M8 lock nuts (2 pcs) and washers (2 pcs). Then attach left and right rear struts to the tub using M8X20 truss head bolts (4 pcs), M8 lock nuts (4 pcs) and washers (4 pcs).



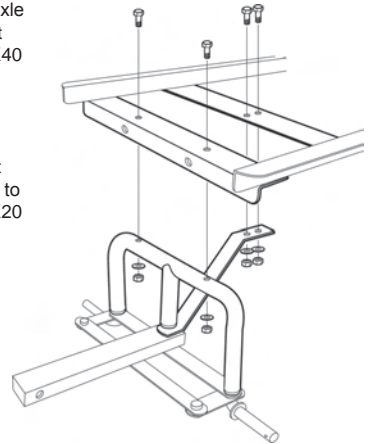
### Step 3

Assemble lock to tub using M8X20 truss head bolts (4 pcs), M8 lock nuts and washers (4 pcs).



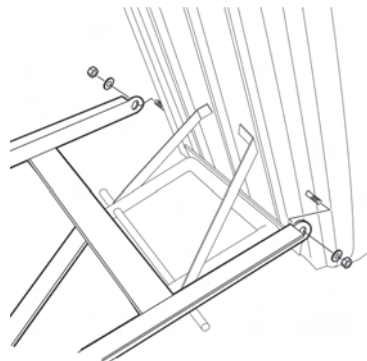
### Step 4

Assemble front axle assembly to front frame using M8X40 flat head bolts (2 pcs), M8 lock nuts (2 pcs) and washers (2 pcs). Then attach front axle support arm to frame using M8X20 hex head bolts (2 pcs), M8 lock nuts (2 pcs) and washers (2 pcs).



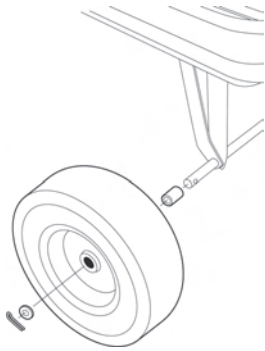
### Step 5

Assemble front axle assembly to tub using M8X20 truss head bolts (2 pcs), M8 lock nuts (2 pcs) and washers (2 pcs).

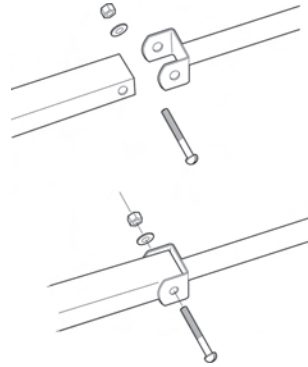


**Step 6**

Assemble the wheels using bushings (4 pcs), washers (4 pcs) and cotter pins (4 pcs).

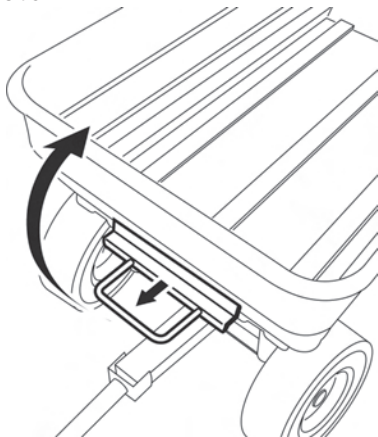
**Step 7**

Assemble the handle to the yoke using M8X60 bolt (1 pc), M8 lock nut (1pc) and washer (1 pc).

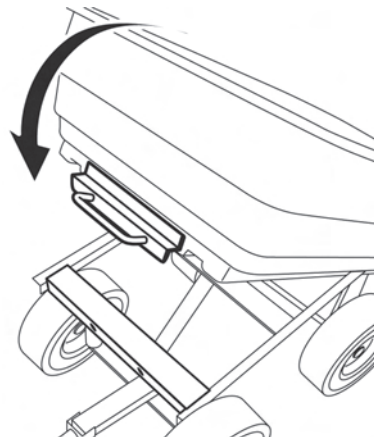


## Using the Dumping Feature

To operate the dumping feature, pull the dumping release handle outward to release the plastic bed from the locking mechanism. Lift up the release handle to rotate kart upward into the dumping position.



Rotate the plastic bed back down to the lowered position. Make sure the dumping release handle is locked into place when the kart is in the lowered position.



**CAUTION !**

Do not exceed maximum overall load capacity 600 lbs. Maximum dumping load capacity 300 lbs.

# Pretty *Kart*



**GARDEN** *Kart*

 **CQFD**

Z.I. Route de Ravel - 69440 ST-LAURENT-D'AGNY - FRANCE